

ORTHOPHOS XG 5 DS/Ceph



X-ray systems

**ORTHOPHOS XG 5 –
Digital
panoramic X-ray
made simple.**



The Dental Company

sirona

Sirona – experience and innovation for the future of your practice.



Our experience is your advantage!

Every new product developed by Sirona is oriented toward the requirements of the future – perfecting digital, networkable dental imaging systems. The emphasis is placed on exceeding the desires and demands of our customers. This is expressed through the close cooperative effort between experienced dentists, universities and Sirona's research and development division. Around 1,400 employees from Sirona on every continent of the world gather international experience in this way. This knowledge base flows consistently into the development of innovative products that give real added value to your practice.

Expertise in X-ray imaging is your future!

The roots of Sirona's competence in the field of radiography go all the way back to Wilhelm Conrad Röntgen and his pioneering work in the early 1900s. Many innovative products made Siemens Dental the technological leader in the dental sector. And, since the transition to Sirona in 1997, we have consistently expanded on our leadership in the market. Through our experience in digital X-ray imaging worldwide we see the growing desire for a truly integrated concept and now more than ever, Sirona can make it a reality for many more practices.



ORTHOPHOS XG 5 completes the neXt Generation of X-ray systems.



future oriented
individual

The ORTHOPHOS XG family!

As a co-inventor of panoramic X-ray imaging and a pioneer of digital panoramic and cephalometric X-ray imaging, Sirona builds on the experience it has gained through the development and manufacture of over 40,000 systems to achieve the reliability and long service life offered by its current X-ray systems. This experience is supplemented in ORTHOPHOS XG systems with innovative functions to enhance diagnostic capabilities and productivity in your practice. In addition to the ORTHOPHOS XG 5 presented here, we also offer the XG^{plus} with more diagnostic possibilities for specialized dentists and those who plan to specialize in the future and will need to be able to upgrade their equipment functionality at that time.

ORTHOPHOS XG 5!

The ORTHOPHOS XG 5 is designed as part of the neXt Generation family of Sirona X-ray products for dentists who would like to use state-of-the-art technologies to meet their most important requirements:

- Accurate and reliable X-ray images
- Simple operation
- Cost effectiveness

Ultra fast!

The power package features an integrated power PC, 16-bit image acquisition, a high-speed interface and CAN bus technology



ORTHOPHOS XG 5

Future oriented!

The Ceph arm for digital cephalometry can be retrofitted later easily



product design-
award 2004

High quality!
Pan and Ceph sensors with CCD
technology and 27 µm pixel size

Highly accurate!
3-point patient fixation to prevent
motion blurring

Intuitive!
The "Multipad" for easy system control

ORTHOPHOS XG 5

Networkable!
Ethernet technology allows control and image
acquisition from any PC in the network

ORTHOPHOS XG 5 – High quality imaging made easy.



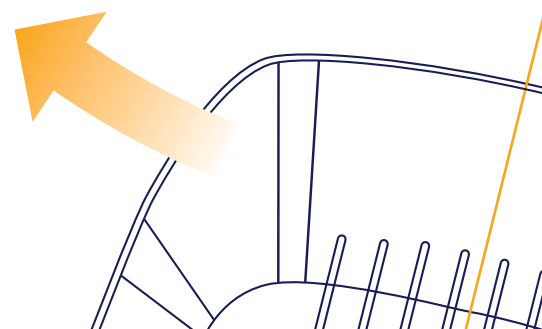
sharp
precise

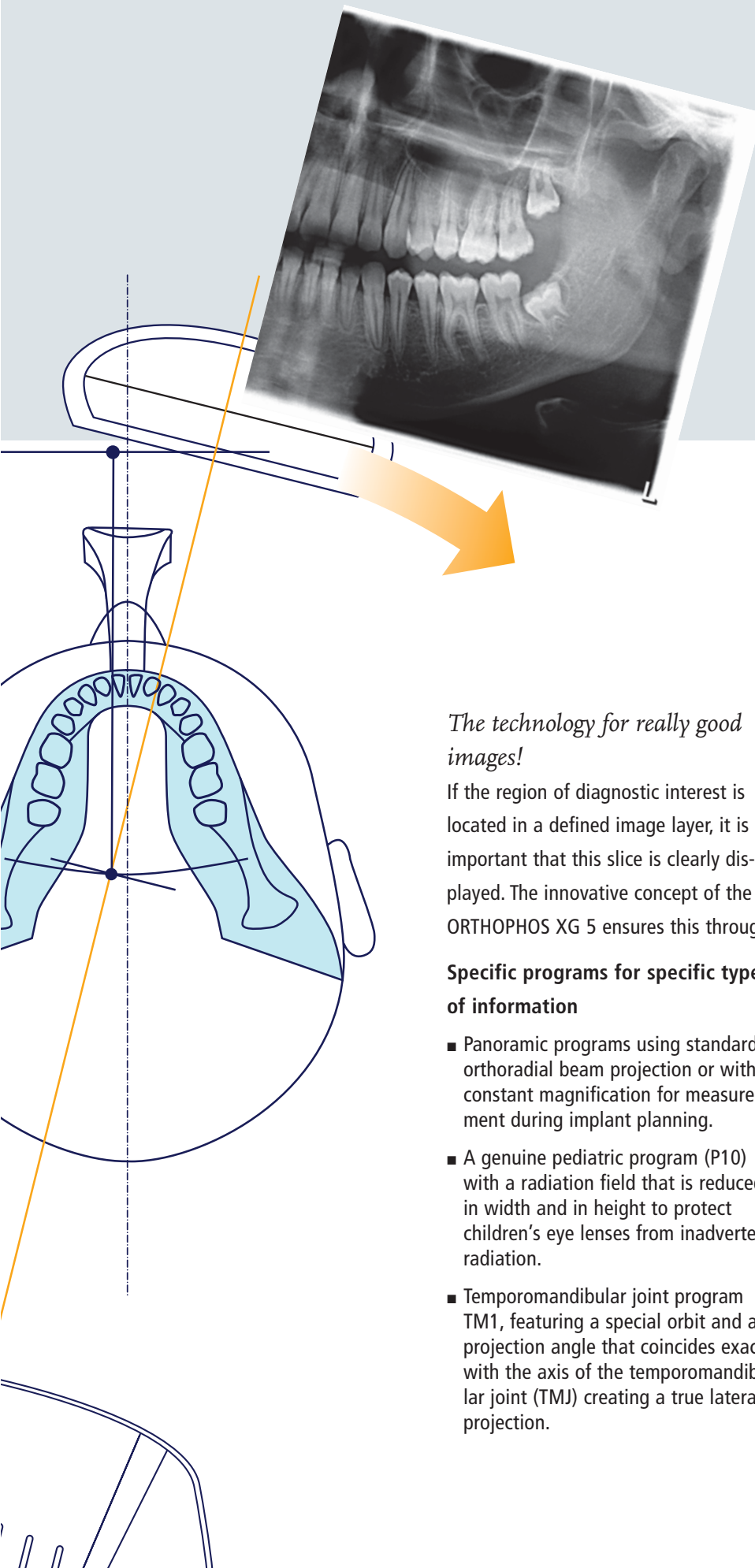
The basis for sharp images!

Panoramic X-ray imaging is a precise process. Only objects located within the focal trough are displayed sharply. The ORTHOPHOS XG 5 ensures this through:

- precise, immediate positioning of the anterior teeth in the sharply focused image layer without using an imprecise canine light localizer and
- effective and comfortable 3-point fixation to prevent patient movements during the exposure.

This provides the basis for good image quality.





The technology for really good images!

If the region of diagnostic interest is located in a defined image layer, it is important that this slice is clearly displayed. The innovative concept of the ORTHOPHOS XG 5 ensures this through:

Specific programs for specific types of information

- Panoramic programs using standard orthoradial beam projection or with constant magnification for measurement during implant planning.
- A genuine pediatric program (P10) with a radiation field that is reduced in width and in height to protect children's eye lenses from inadvertent radiation.
- Temporomandibular joint program TM1, featuring a special orbit and a projection angle that coincides exactly with the axis of the temporomandibular joint (TMJ) creating a true lateral projection.

Optimal technology for your practice

- Compensation for the spinal column via automatic kV control generally results in a more detailed display of the anterior teeth.
- The CCD sensor has a pixel size of 27µm. 16-bit image acquisition and automatic preprocessing of raw image data ensure that a maximum amount of information is obtained before the exposure appears on the monitor.
- The numerous filter and analysis functions featured in SIDEXIS XG imaging software simplify diagnosis.

ORTHOPHOS XG 5 – with simple and logical operation.



reliable
fast

Reliable simplicity!

Since imaging equipment is often used by different operators, the easier they are to operate the more reliable the results achieved with them will be. Sirona's history of keeping things simple was the driving force in developing the ORTHOPHOS XG 5. The patient is positioned using only 2 light line markers to align the mid-sagittal and Frankfurt horizontal planes. And all system functions are controlled from the central control element, the Multipad.

Easy adjustment of system settings!

The control elements are clearly arranged on the "Multipad" to allow easy adjustment of the system in just a few steps:

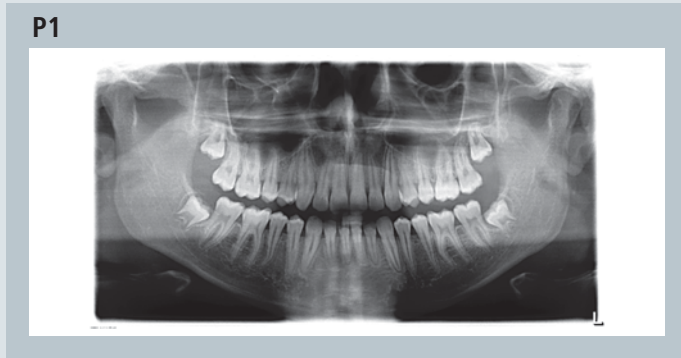
- Pushbutton-controlled motorized adjustment of the height, forehead and temple supports;
- Program selection with automatic diaphragm change
- Selection of exposure parameters via intuitive patient symbols

Then release exposure.

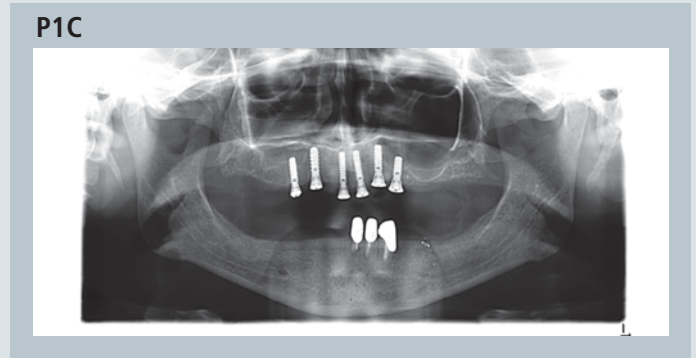
The programs for your practice:

With its 8 individual programs, the ORTHOPHOS XG 5 offers you a truly diversified diagnostic spectrum. And each program has a specific orbital curve to deliver the best results for the corresponding task – just the way you need it for your diagnosis.

Standard panoramic radiograph with orthoradial projection



Standard panoramic radiograph in the 1 : 1.25x constant magnification version



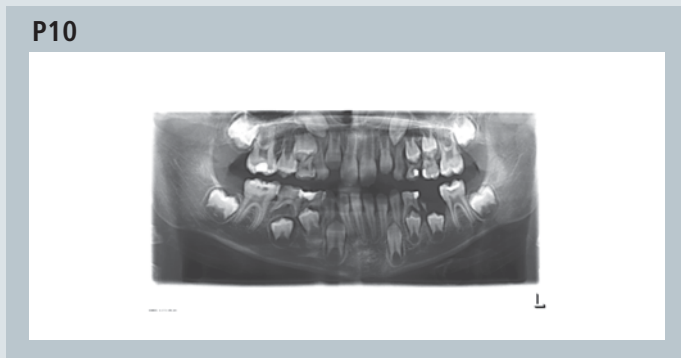
Standard panoramic radiograph, half side left



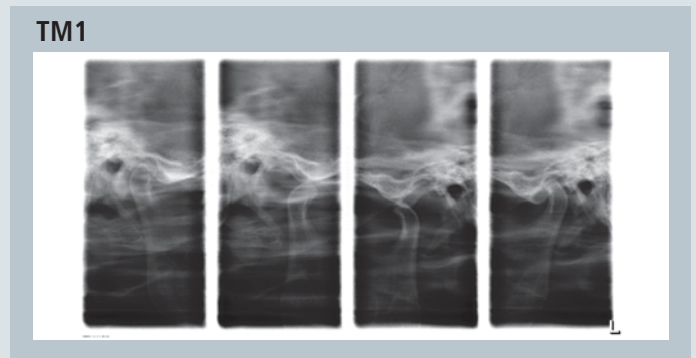
Standard panoramic radiograph, half side right



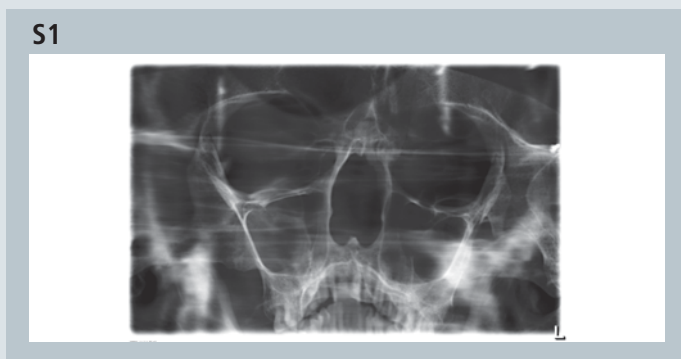
Pediatric panoramic radiograph with reduced height and length



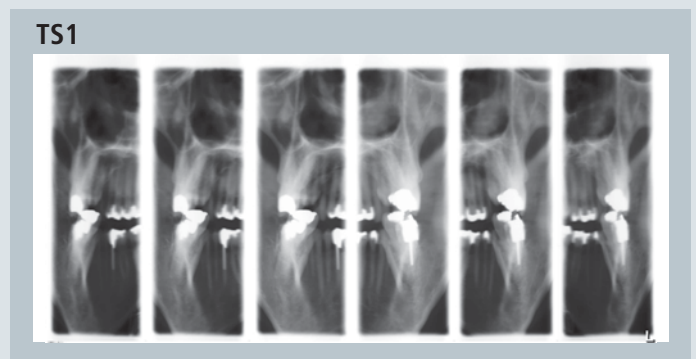
Lateral temporomandibular joints in closed and open occlusion



Sinus program
Display of the paranasal sinuses



Transverse multi-slice posterior teeth



ORTHOPHOS XG 5 – for cephalometric radiography now and into the future!



flexible
upgradable

Cephalometry with clarity!

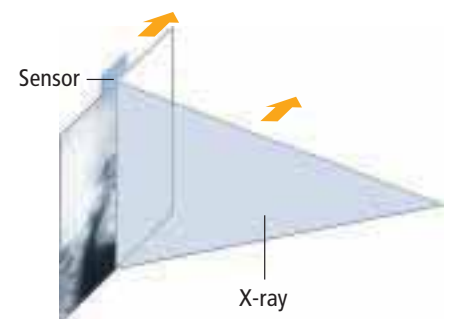
The horizontal scanning sensor captures each portion of the image in just a fraction of a second. Maximum resolution is therefore attained with a minimum dose. An image width of 18 or 29 cm (7.09 or 11.42") is possible for lateral exposures. Patients measuring up to 1.90 m (6 ft. 2 in.) in height can thus be X-rayed standing.

The Ceph arm can also be retrofitted at a later date. If an optional second sensor is used, changeover between the Pan and the Ceph mode is possible without changing sensors.

All the Ceph programs you need: Lateral, PA/AP, Hand



Principle of horizontal scans:



ORTHOPHOS XG 5 – all the advantages of digital radiography and much more.

economical flexible

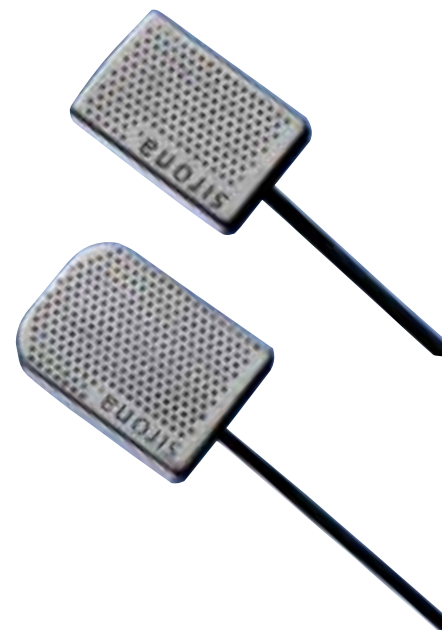


This really pays off!

Digital radiography is becoming more widely accepted for many important reasons. These include: time savings, lower radiation dose, better practice organization and less physical space requirements (when you consider the elimination of the darkroom).

And digital radiography with Sirona offers you even more. It's simpler, more logical and more productive:

- The ORTHOPHOS XG 5 can be connected directly to your practice network. Thus, you no longer require an additional PC. For you, this means more freedom and higher cost effectiveness.
- The SIDEXIS XG software interconnects all Sirona imaging systems (Pan, Ceph, intraoral X-ray and camera). This enables you to economically add new equipment in your practice and efficiently utilize the advantages of optimal workflow management.
- All Sirona intraoral sensor systems are available in a network-compatible version (X-ray wall box and X-ray box on the Sirona treatment centers) or as a USB system. This modular concept enables you to grow your digital practice when and how it suits your needs.



ORTHOPHOS XG 5 – tomorrow's technology for your practice.



Programs

Panoramic programs:

- Standard panoramic selectable in the versions
 - Standard orthoradial full dentition (P1)
 - Standard orthoradial left (P1L)
 - Standard orthoradial right (P1R)
 - with constant 1.25x magnification (P1C)
- Pediatric panoramic (P10)

Lateral temporomandibular (TMJ) program:

- with open and closed occlusion (TM1)

Sinus program:

- Paranasal sinuses (S1)

Transverse multislice posterior teeth (TS1)

Ceph programs:

- Ceph asymmetrical
 - Ceph symmetrical p.a.
 - Ceph symmetrical a.p.
 - Carpus/(Hand/Wrist)
- Additional projections possible

Technical data digital Pan/Ceph

	ORTHOPHOS XG 5 DS ORTHOPHOS XG 5 DS Ceph
Radiation generator	Multipulse generator (max. 120 kHz)
X-ray tube	SR 90/15 FN
Focal spot size compliant to IEC 336/82	0.5 mm x 0.5 mm
Total filter	2.5 mm AL
Tube voltage	60–90 kV
Tube current	3–16 mA
Nominal voltage	230–240 V, 50–60 Hz
Nominal current	12 A
Line internal resistance	max. 0.8 ohms
Fuse	16 A slow-blow
Power consumption	2.8 kW
Permissible line voltage fluctuations	± 10 %
Panoramic exposure time (P1)	14.2 s
Bite block height range	2'8" to 6' (80–1810 mm)
	Ceph
Radiation time, 18 x 24 cm	9.4 s
Effective exposure time	approx. 270 ms

Technical features

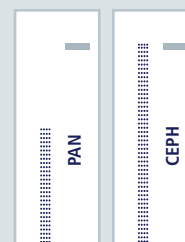
- Centralized control via "Multipad"
- Optional remote control
- 90 kV high-frequency generator
- Spinal column compensation via automatic kV increase
- CCD sensor technology with high-speed interface, 27 µm pixel size and image acquisition with 16-bit technology, 100 Mbit Ethernet data transmission
- State-of-the-art data technology via integrated power PC and can bus architecture
- Upgradeable system software
- Ceph is upgradeable
- Combination of Pan/Ceph sensors are available as an option
- System versions: ORTHOPHOS XG 5 DS, ORTHOPHOS XG 5 DS Ceph
- SIDEXIS XG image processing software
- Optional floor stand
- Suitable for patients in wheelchairs



Remote control
with display of exposure
parameters.

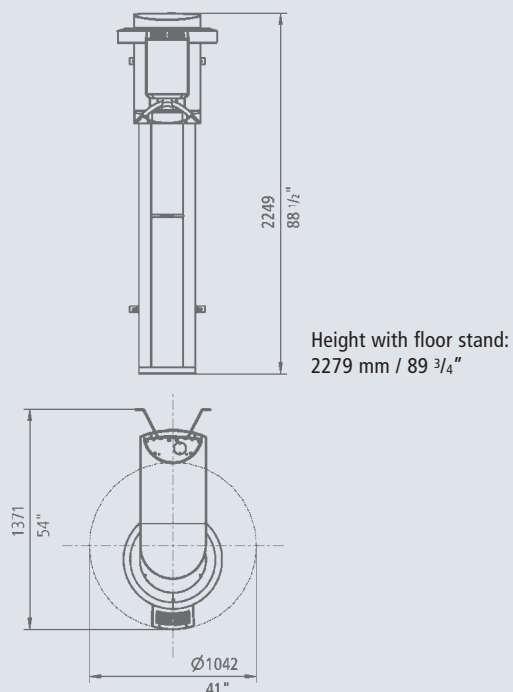


Sturdy floor stand!
If no walls are available for
fastening your panoramic X-ray
unit, Sirona also offers an
optional floor stand for the
ORTHOPHOS XG 5 which can
be screwed to the floor and
can accommodate patients in
wheelchairs.

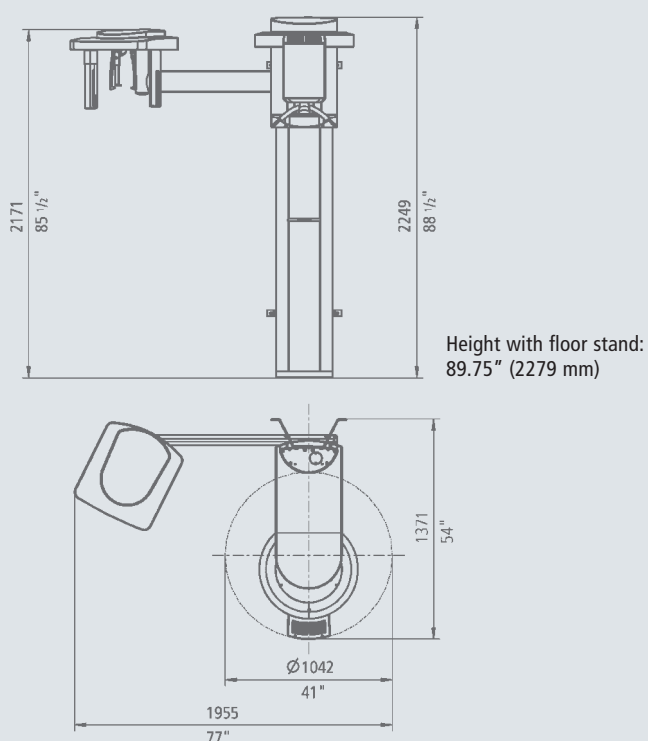


**Two
sensor versions**

Min. space requirement of ORTHOPHOS XG 5 DS:
50.4" x 55.6" (1280 x 1411 mm)



Min. space requirement of ORTHOPHOS XG 5 DS Ceph:
2155 x 1411 mm



Do you need extended diagnostic possibilities?
Then be sure to ask your nearest Sirona dealer about ORTHOPHOS XG^{Plus} – the panoramic X-ray system that meets your highest demands for differentiated diagnosis and safety.

ORTHOPHOS XG^{Plus} – Digital Imaging Perfection.



ORTHOPHOS XG^{Plus} – Digital Imaging with confidence:

Reliable Diagnosis

- Intuitive program structure
- Extended diagnostic possibilities (e.g. transverse slices)
- Individual adaptation to the patient

Operational Simplicity

- Efficient patient positioning
- Intuitive control and interactive messages via the Easypad colour touchscreen
- Preview image of X-ray exposure displayed on the unit

Investment security

- Practice-proven optimal workflow
- Quickshot mode for Pan and Ceph
- Future Software and operational upgrades

Sirona – creating and maintaining value.

Treatment centers
Handpieces
Hygiene systems
X-ray systems
CEREC

Logical. You are right to expect a great deal from the world's only full-range supplier of dental equipment – in particular, an extensive product portfolio, first class service, outstanding quality and tremendous value for money. Sirona covers the entire dental equipment spectrum: treatment centres, handpieces, X-ray systems, hygiene systems, imaging systems and – last but not least – CEREC ceramic restoration systems. Building products that stand the test of time, Sirona is the professional partner for the dental profession.

Dealer's stamp



Sirona Dental Systems GmbH
 Fabrikstrasse 31 · D-64625 Bensheim
 E-mail: contact@sirona.de
www.sirona.com

Subject to technical changes and errors in the text. Order No. A91100-M47-A818-01-7600, Printed in Germany, Dispo No. 04600, 2013C8810WS 09045.